

# SCIOTO VALLEY PRECAST COMPANY

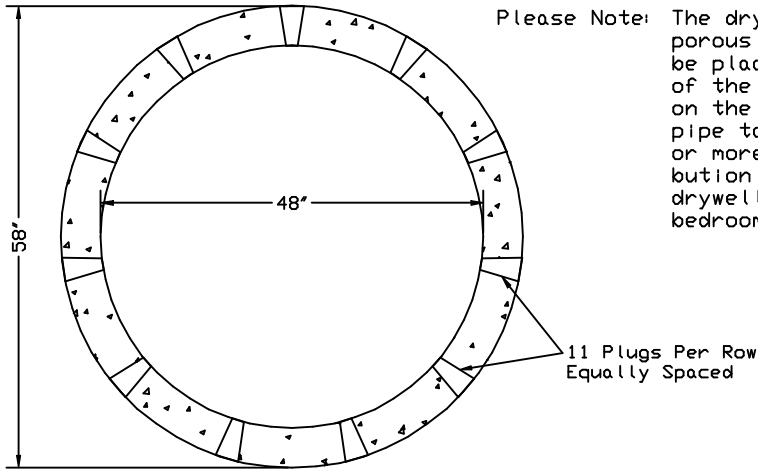
3218 S. BRIDGE STREET

CHILlicoTHE, OHIO 45601

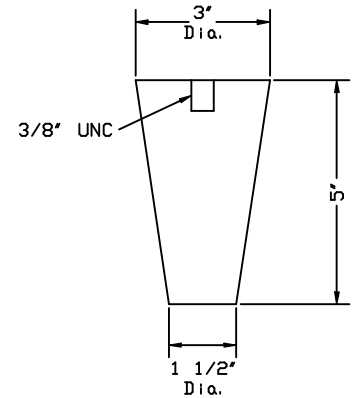
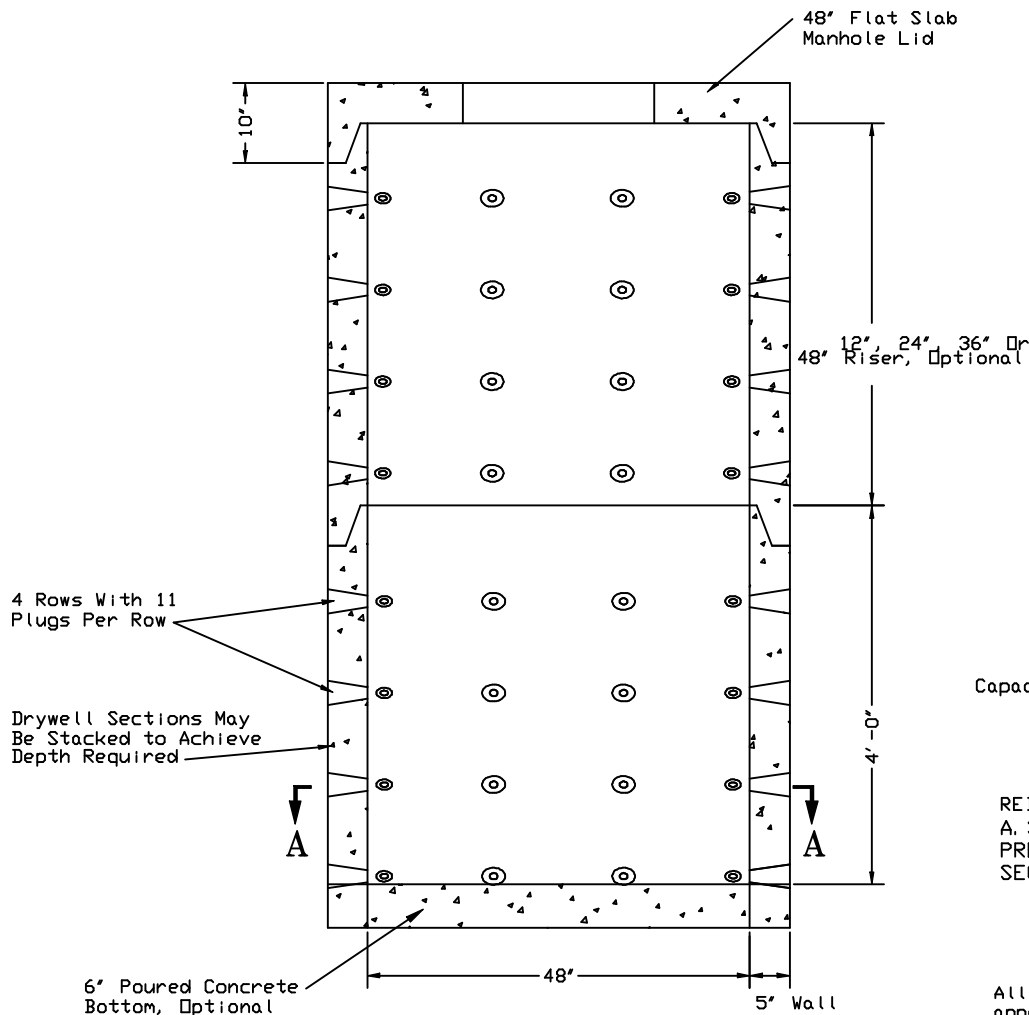
PHONE (740) 663-2659

Excavation Size: 1 Ft. larger than tank all the way around. Install 6" to 12" of washed gravel size 57 in the bottom of hole prior to setting tank.  
After tank is installed put #57 gravel on outside of tank to top of tank.

Please Note: The drywells are only to be used in very gravelly or very porous soil. Drywells can also be in tandem but should be placed a minimum of 10'-0" apart. A riser from the top of the tank to the top of ground may be required depending on the local Health dept. requirements. Schedule 40 PVC pipe to be used from septic tank to drywell. If two (2) or more drywell tanks are used a flow divider or distribution box should be used. Under proper conditions a drywell is capable of handling the water for a 2 to 3 bedroom home.



## SECTION A-A



## PLUG SIZE

Capacity: 94 Gal/Ft Dr  
376 Gal Per 4'-0" Section

REINFORCING SHALL CONFORM TO A. S. T. M. DESIGNATION C-478 PRECAST, REINFORCED, CONCRETE SECTIONS.

All drawings and written material appearing herein are the sole property of the SCIOTO VALLEY PRECAST COMPANY. And the same may not be duplicated, used or disclosed without written permission of the SCIOTO VALLEY PRECAST COMPANY.

48" DRY WELL